

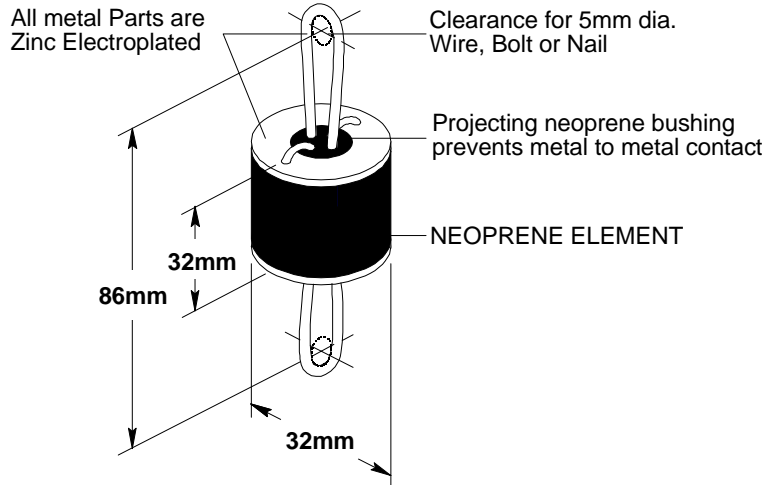


MASON INDUSTRIES, Inc.
Manufacturers of Vibration Control Products
 350 Rabro Drive
 Hauppauge, NY 11788
 631/348-0282 FAX 631/348-0279
 Info@Mason-Ind.com
 Info@MasonIndustries.com.ar

CERTIFICADO POR

NOMBRE :
CLIENTE :
ORDEN :
MASON M.I. :
DWG. NO. :

MODELO **WHR**
 Neoprene
 Ceiling Hangers



MODELO WHR RATINGS

Size (Duro-meter)	Rated Capacity Range [kg]	Rated Defl. [mm]	Color Mark
WHR-40	Up to 27	5	Green
WHR-50	23-43	5	Red
WHR-60	41-70	5	White
WHR-70	68-100	5	Yellow

Hanger elements have straight line deflection curves.

NOTE - Tested to Failure at 546kg.

CERTIFICATION DATA

DEFLEXION ESPECIFICADA mm _____

TAG : _____

UNIT : _____

DWN : _____ CHKD: _____ DATE : _____

DWG NO. : _____