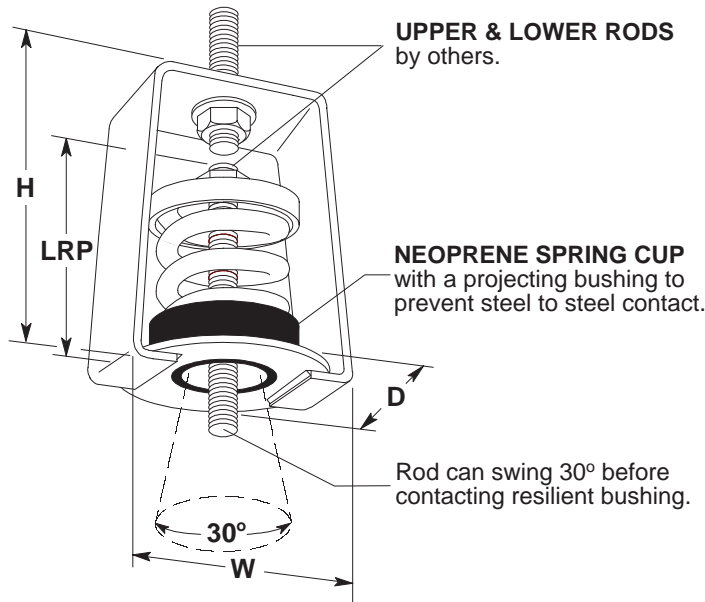




MASON INDUSTRIES, Inc.
 Manufacturers of Vibration Control Products
 350 Rabro Drive
 Hauppauge, NY 11788
 631/348-0282 FAX 631/348-0279
 Info@Mason-Ind.com
 Info@MasonIndustries.com.ar

CERTIFICADO POR
NOMBRE :
CLIENTE :
ORDEN :
MASON M.I. :
DWG. NO. :

MODELO
30
 25mm DEFLEXION
 X, A, B, C, D & F
 Series Hangers



DIMENSIONES (mm)

Size Range	D	H	W	LRP	MRD
30-X-23-210	64	108	73	89	10
30-A-12-25	70	146	83	89	13
30-A-41-95	70	146	83	102	13
30-B-138-540	102	184	121	108	16
30-C-630-1265	121	222	133	127	19
30-D-1575-2150	121	318	146	178	22
30-F-2760	152	305	159	178	22

LRP - Lower Rod Penetration
 MRD - Maximum Rod Diameter

ESPECIFICACIONES MODELO 30

Size	Rated Capacity [kg]	Rated Defl. [mm]	Spring Constant [kg/mm]	Spring Color
30-X-23	10	33	0.3	Brown
30-X-33	15	28	0.5	Red
30-X-54	25	31	0.8	White
30-X-76	35	26	1.3	Black
30-X-113	51	25	2.0	Yellow
30-X-130	59	25	2.3	Purple
30-X-175	79	25	3.1	Silver
30-X-210	95	25	3.8	Blue
30-A-12	5	25	0.2	Red
30-A-18	8	25	0.3	Gray
30-A-25	11	25	0.4	Orange
30-A-41	19	30	0.6	Pink
30-A-56	25	29	0.9	Black
30-A-73	33	27	1.2	Tan
30-A-95	43	26	1.7	Green
30-B-138	63	34	1.9	White
30-B-222	101	30	3.4	Blue
30-B-278	126	28	4.6	Purple
30-B-336	152	25	6.0	Silver
30-B-410	186	27	6.9	Black
30-B-540	245	25	9.6	Yellow
30-C-630	286	29	10.0	Gray
30-C-800	363	25	14.3	Orange
30-C-1010	458	28	16.4	Green
30-C-1265	574	25	22.6	Red
30-D-1575	714	31	22.9	Pink
30-D-2150	975	26	37.4	Purple
30-F-2760	1252	25	49.3	Silver

All springs have additional travel to solid equal to 50% of Rated Deflection.

CERTIFICACIONES

TAG : _____

UNIT : _____

PLAN VIEW OF HANGER LOCATION:



DEFLEXION ESPECIFICADA mm _____

1 :	6 :
2 :	7 :
3 :	8 :
4 :	9 :
5 :	10 :

Material for One Set : Sets Required

DWN : _____ **CHKD :** _____ **DATE :** _____

DWG NO. : _____